

Contact Us

To contact us, call or email:
Frieling USA, Inc.
(P) 1-800-827-2582 or 704-329-5100.
(F) 704-329-5151
email: mail@frieling.com

For questions about the MILK2froth appliance or its
parts/accessories,
please call the MILK2froth TECHNICAL HOTLINE:
1-800-827-2582 or 704-329-5100
or send an email to
mail@frieling.com.

For replacement MILK2froth parts or accessories,
please visit our website:
www.frieling.com.

MILK2froth™

MILK2froth is a trademark of Frieling USA, Inc.
©2008 Frieling USA, Inc., All Rights Reserved.
September 2008 Printed in China

For more information on Frieling products,
Visit our website: <http://www.frieling.com>

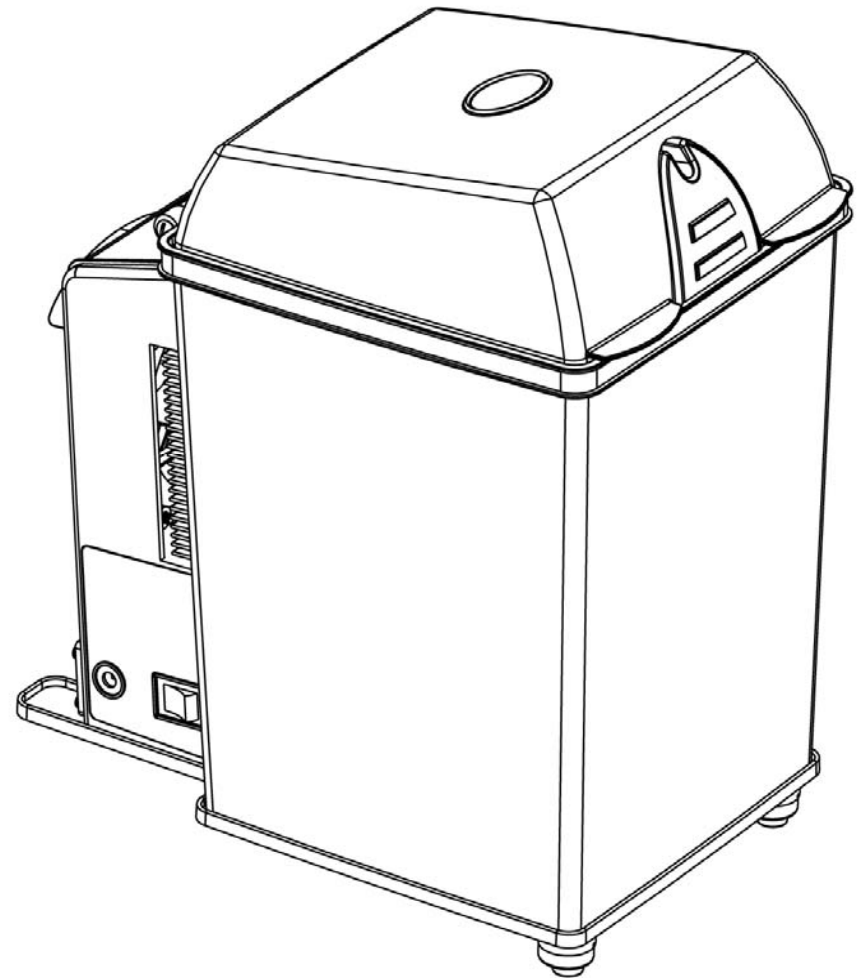
frieling

OWNER'S MANUAL

Model Numbers:

US/Canada: 0505 and 0605

MILK2froth™



Important Safeguards

When using an electrical appliance, basic safety precautions should always be followed to reduce the risk of fire, electrical shock and injury to persons, including the following:

1. Read all instructions before using appliance.
2. Close supervision is necessary when any appliance is used near children.
3. This appliance is not for use by children.
4. The cord to this appliance should be plugged into a 120V AC electrical outlet only.
5. Do not operate any appliance with a damaged cord or plug or after the appliance malfunctions, or has been dropped or damaged in any manner. Contact Consumer Service for return authorization, examination, repair or adjustment.
6. If this appliance malfunctions during use, immediately unplug the cord from the outlet. Do not attempt to repair the malfunctioning appliance.
7. Unplug unit when not in use and before cleaning.
8. Do not let the power supply hang over edge of table or counter.
9. Use caution when transporting MILK2froth.
10. Do not place on or near a hot gas or electric burner, or in a heated oven.
11. Use MILK2froth on a flat surface.

SAVE THESE INSTRUCTIONS

CAUTION: Do not block the cooling fan in the back of the unit or exhaust ports on side of unit. Allow ample space for air circulation.

CAUTION: Do not immerse the power supply, cord, or appliance in water or any other liquid.

CAUTION: Do not use metal scouring pads to clean the appliance. Pieces of the pad may break off and touch electrical parts.

CAUTION: Do not pour water or any liquid into the chilling chamber of the MILK2froth.

CAUTION: The MILK2froth is designed to operate at room temperatures below 30°C, 86°F. We cannot guarantee proper functioning of the MILK2froth in a room or environment above these temperatures.

Troubleshooting

The unit is plugged in but both lights are OFF.	Make sure the cord is securely plugged into the power supply and unit. Make sure the Power Switch is in the ON position. If problem persists, call the Hotline.
The unit is plugged in and the switch is ON, and the Blue Light remains OFF.	Allow 2 hours for the unit to cool to temperature. If after 2 hours, the Blue Light does not turn ON, call the Hotline.
There was a power failure for 2 hours or more, is the milk safe?	It is not recommended to consume dairy products that have not been refrigerated for over 2 hours.
A full container was placed in the unit after normal operation. The Blue Light remains OFF.	Allow 2 hours for the unit to cool to temperature. If after 2 hours, the Blue Light does not turn ON, call the Hotline.
Everything is working correctly, however, when trying to froth milk, nothing happens.	Check the Espresso Makers manual to ensure proper assembly of the frother attachment.

Care and Cleaning

CAUTION: Do not immerse the power supply, cord, or appliance in water or any other liquid.

CAUTION: Do not use metal scouring pads to clean the appliance. Pieces of the pad may break off and touch electrical parts.

CAUTION: Do not pour water or any liquid into the chilling chamber of the MILK2froth.

1. Unplug the MILK2froth, open the lid and allow all parts to reach room temperature before cleaning.
2. Clean the outside of the MILK2froth with a clean damp sponge.
3. Do not use an abrasive cleaner, as it may damage the exterior finish.
4. Clean the inside of the MILK2froth with a clean sponge and a small amount of mild dish detergent. Wipe dry with a paper or cloth towel.
5. The MILK2froth Refillable Container, Lid and components can be washed with warm, soapy water or placed on the top shelf of the dishwasher. Dry thoroughly before next use.
6. Let all parts dry thoroughly prior to plugging in the MILK2froth and using.
7. Regularly clean fan and fan grill with a damp cloth to remove dust.

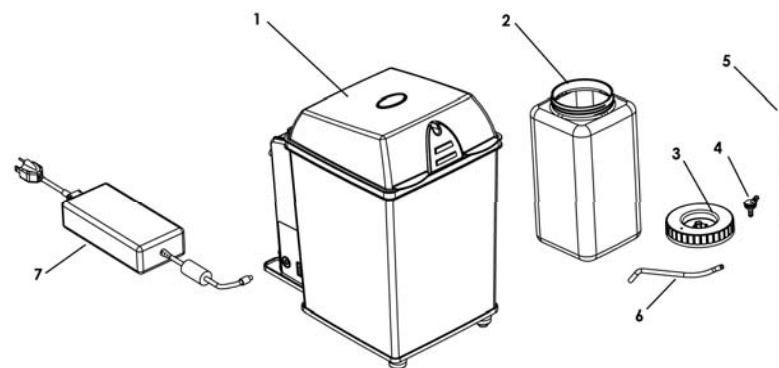
Polarized Plug

This appliance has a polarized plug (one blade is wider than the other). As a safety feature to reduce the risk of electrical shock, this plug is intended to fit in a polarized outlet only one way. If the plug does not fit fully in the outlet, reverse the plug. If it still does not fit, contact a qualified electrician. Do not attempt to modify the plug in any way.

Power Cord Instructions

A long power cord is provided so that the MILK2froth can be located away from the power outlet. Care must be taken to ensure the cord does not become entangled or located where tripping can occur.

MILK2froth Parts and Accessories



Parts List		Item No.
1	MILK2froth unit (Black)	0505
	MILK2froth unit (Stainless Steel)	0605
2	MILK2froth Refillable Container	0730
3	MILK2froth Refillable Container Lid	0731
4	MILK2froth Refillable Container Fitting	0732
5	MILK2froth Refillable Container Inner Tube	0733
6	MILK2froth Refillable Container Hose	0734
7	Power Supply and Plug	0713

Congratulations!

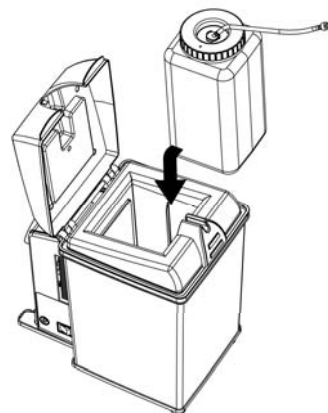
The MILK2froth is an electronic refrigerator for your espresso machine! Now you can enjoy frothed milk at your espresso machine any time, in mere seconds! This revolutionary unit stays connected – 24/7 – to any espresso machine that has a frothing nozzle with a milk adapter (most machines do). What could be easier?

Before Using for the First Time

1. Carefully unpack the MILK2froth from the box.
2. Read all of the instructions included in this manual.
3. Remove all packing material.
4. Make sure the MILK2froth is unplugged and the power switch is in the OFF position.
5. Wipe exterior surfaces with a damp cloth. Dry thoroughly with a soft cloth. **DO NOT** use harsh or abrasive cleansers as these can damage the exterior surfaces.
6. **CAUTION: Do not immerse the power supply, the cord, or the appliance in water or any other liquid.**
7. Remove the MILK2froth Refillable Container, lid and components. Wash them in warm, soapy water or place in the upper rack of the dishwasher.
8. Thoroughly dry the MILK2froth Refillable Container and its components.

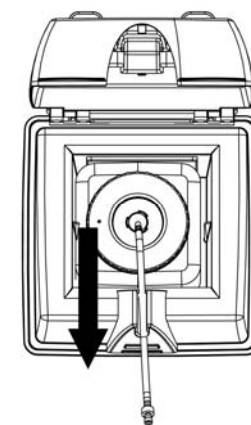
Load Container into MILK2froth

Lift the lid by pulling upward on one of the two tabs.



1. Insert the container into the chilling chamber until it sits on the bottom surface.
2. Align the hose to fit tightly in the forward channel.
3. Lower the lid to close the machine.

4. Connect Espresso Machine Fitting into Espresso Machine frothing adapter. Please refer to the Espresso Machine's User Manual for specific instructions.



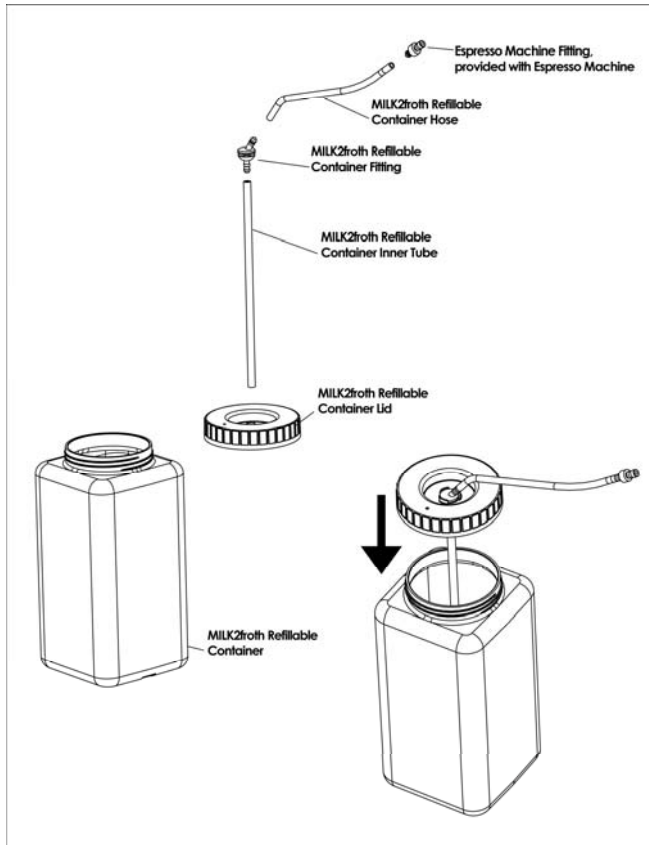
Remove Empty Refillable Container

The MILK2froth notifies the operator that the content of the container is getting low by flashing the White Light. To remove the empty container:

1. Lift the lid by pulling upward on one of the two tabs.
2. Lift the empty container from the chilling chamber.
3. Clean the Chilling Cavity as outlined in the Care and Cleaning Section.

To refill the MILK2froth with a full container, follow the instructions found in section *Load Container into MILK2froth*.

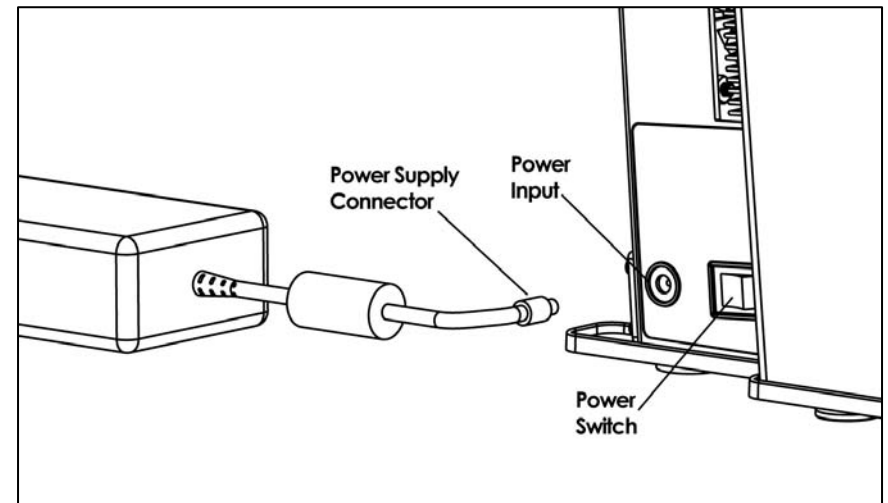
Filling the Refillable Container



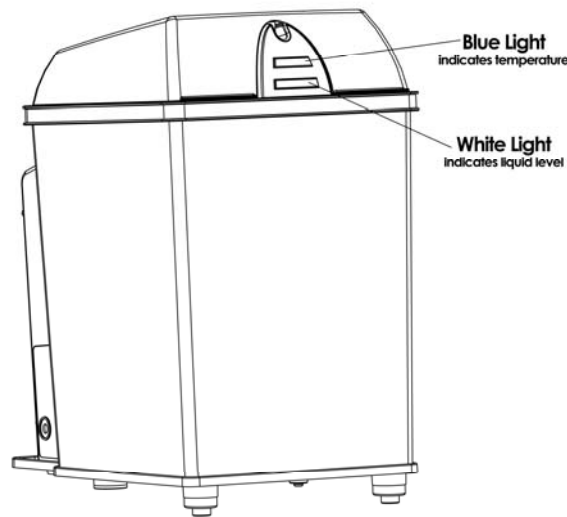
1. Fill container with dairy product.
2. Insert the lower half of the Fitting into the Inner Tube.
3. Insert the angled, upper half of the Fitting into the Hose.
4. Insert the Espresso Machine fitting into the free end of the Hose.
5. Insert the Inner Tube into the opening in the lid until the fitting seats at the top of the lid.
6. Insert the lid assembly into the container and twist lid to tighten.

The MILK2froth is now ready for use.

Plug the power supply connector into the Power Input on the MILK2froth control panel. Connect the power supply to the power cord and plug it into the wall outlet. Set the Power Switch to ON.



MILK2froth Indicators:



The Blue Light is the temperature indicator. When the unit is cooling down, the Blue Light is OFF. When the unit has reached the refrigeration temperature of 41°F or 5°C, the Blue Light turns ON.

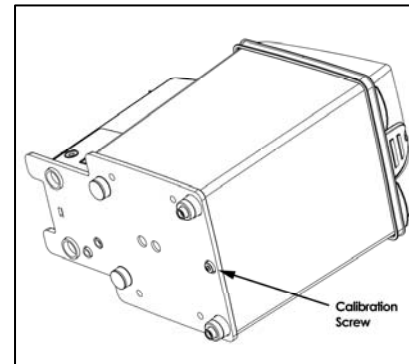
The typical cooling down period should not exceed 2 hours. If the blue light of MILK2froth does not come on after 2 hours, please contact the Hotline.

The White Light is the liquid level indicator. A flashing white light indicates the Dairy Product Level is low and will require refilling soon. A solid white light indicates there is sufficient Dairy Product in the container.

When powering on the MILK2froth, the Blue Light should be OFF, and the White Light flashing.

Fine Tuning the Low Level Indicator

Your MILK2Froth is factory calibrated. The White Light will flash when the milk is “almost empty.” Follow the below tuning instructions only if you prefer to be alerted earlier or later:



1. Locate the calibration screw on the underside of the MILK2froth.
2. Fill the refillable container 1/4 or more with milk. This is the amount of milk remaining in the container when the White Light flashes.

3. Place container in the MILK2froth and close the lid.

4. Place the MILK2froth on a flat surface that will provide access to the calibration screw. We suggest using an inside corner of a counter, or pushing two tables together leaving 2 inches between them for access to the screw.

5. Using a flathead screwdriver, SLOWLY adjust screw on the bottom in a clockwise manner just until the White Light is flashing.

6. Further adjust the screw 1/2 turn to complete the calibration.

